

```

// LEDs
#define PIN_LED <25u>

// Serial
#define PIN_SERIAL1_TX <0u>
#define PIN_SERIAL1_RX <1u>

#define PIN_SERIAL2_TX <8u>
#define PIN_SERIAL2_RX <9u>

// SPI
#define PIN_SPI0_MISO <16u>
#define PIN_SPI0_MOSI <19u>
#define PIN_SPI0_SCK <18u>
#define PIN_SPI0_SS <17u>

#define PIN_SPI1_MISO <12u>
#define PIN_SPI1_MOSI <15u>
#define PIN_SPI1_SCK <14u>
#define PIN_SPI1_SS <13u>

```

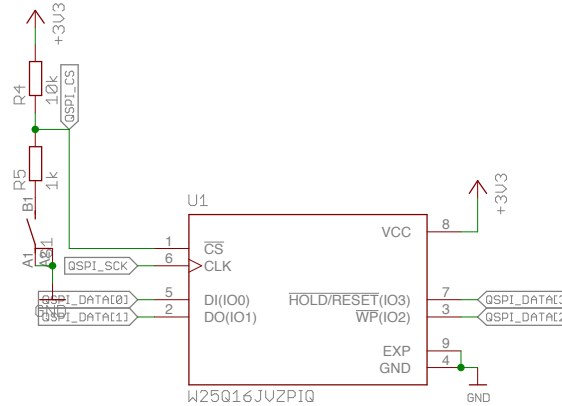
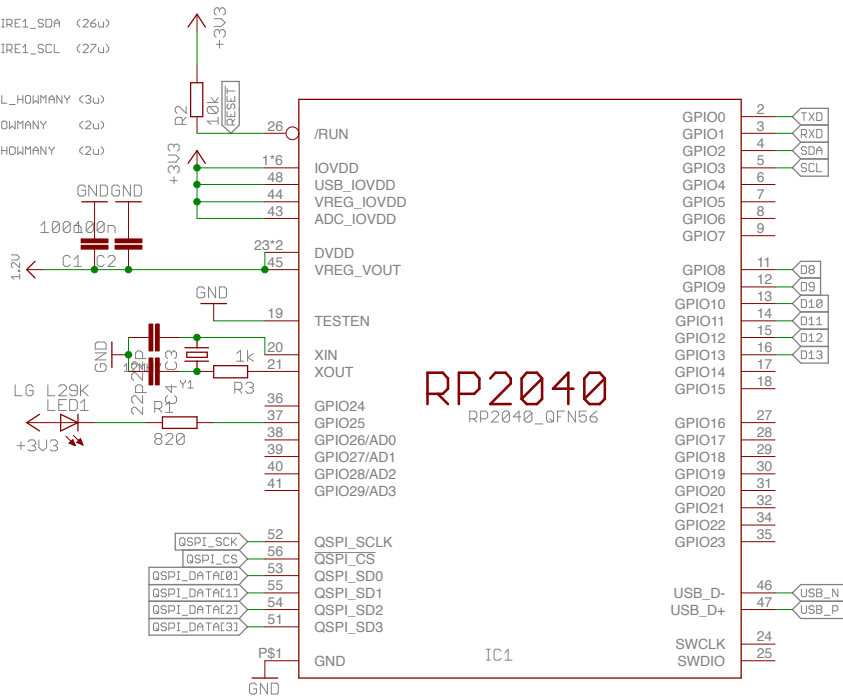
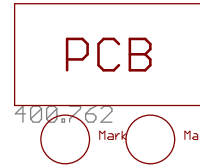
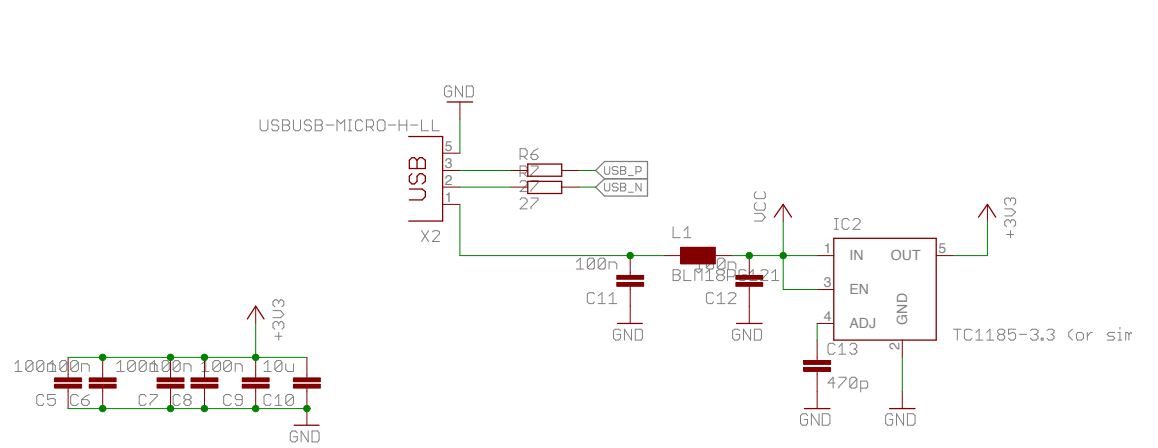
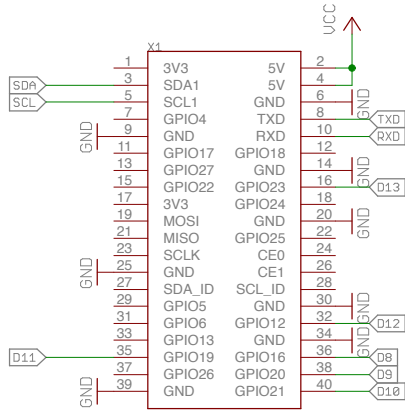
```

// Wire
#define PIN_WIRE0_SDA <4u>
#define PIN_WIRE0_SCL <5u>

#define PIN_WIRE1_SDA <26u>
#define PIN_WIRE1_SCL <27u>

#define SERIAL_HOWMANY <3u>
#define SPI_HOWMANY <2u>
#define WIRE_HOWMANY <2u>

```



JLC7628:
 9/6mil == 90R
 7/6mil == 100R
 Vias: 4L == 16/8 mil
 4L = 3.5mil // 2L = 5mil